

**Qty. Description**

1 **UPS 36-50 F 200**



**Note! Product picture may differ from actual product**

Product No.: On request

The pump is of the canned rotor type, i.e. pump and motor form an integral unit without shaft seal and with only two gaskets for sealing.

The bearings are lubricated by the pumped liquid.

Speed no: The pump has 3-step speed selector.

The pump is characterized by:

- \* Ceramic shaft and radial bearings.
- \* Carbon axial bearing.
- \* Stainless steel rotor can and bearing plate.

Impeller: \* Corrosion-resistant impeller, Composite, PES/PP.

Pump housing: \* Cast iron pump housing.

Phase: The motor is a 1-phase motor.

No additional motor protection is required.

Liquid:

Pumped liquid: Water

Liquid temperature range: -25 .. 110 °C

Selected liquid temperature: 60 °C

Density: 983.2 kg/m<sup>3</sup>

Technical:

TF class: 110

Approvals on nameplate: EAC

Materials:

Pump housing: Cast iron  
EN-JL1030  
ASTM 30 B

Impeller: Composite, PES/PP

Installation:

Amb. max at 80 dgr C liquid: 40 °C

Maximum operating pressure: 10 bar

Flange standard: SQUARE

Pipe connection: 90 mm

Pressure rating: PN 10

Port-to-port length: 200 mm

Electrical data:

Power input in speed 1: 75 W

Power input in speed 2: 100 W

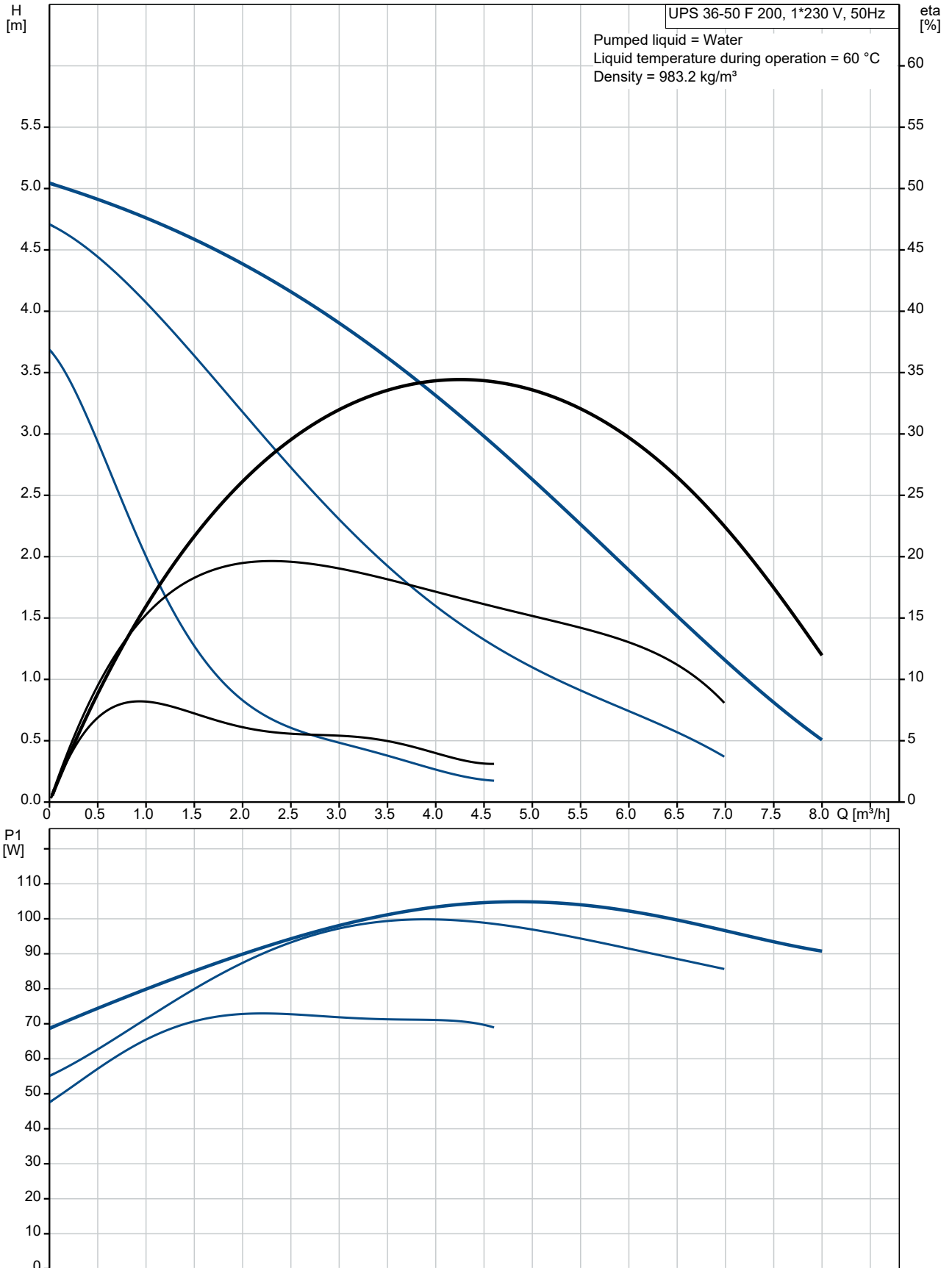
Max. power input: 105 W

Qty.	Description
------	-------------

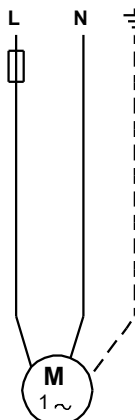
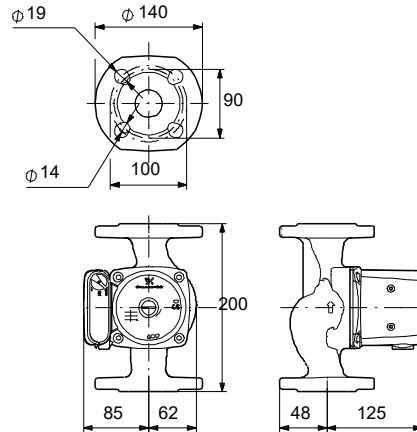
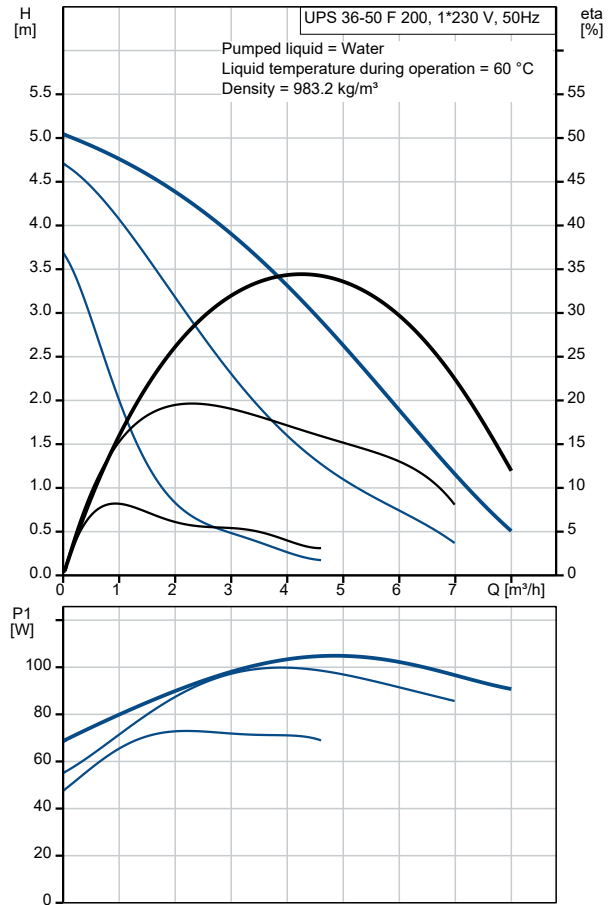
	Mains frequency: 50 Hz
	Rated voltage: 1 x 230 V
	Current in speed 1: 0.32 A
	Current in speed 2: 0.44 A
	Current in speed 3: 0.46 A
	Capacitor size - run: 2.5 µF
	Enclosure class (IEC 34-5): X2D
	Insulation class (IEC 85): F

	Others:
	Gross weight: 6.93 kg
	Shipping volume: 0.009 m <sup>3</sup>
	Norwegian NRF no.: 9042027

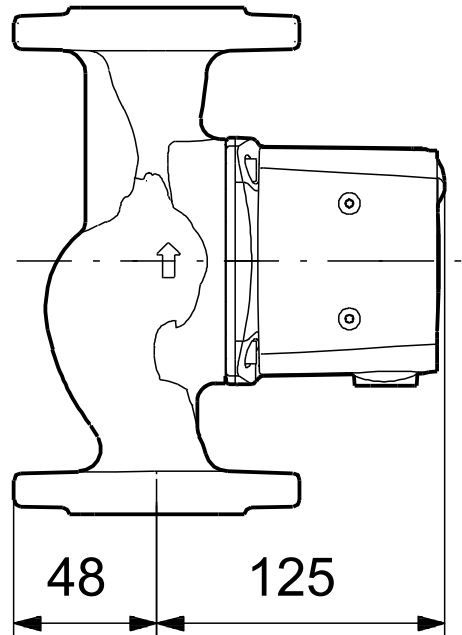
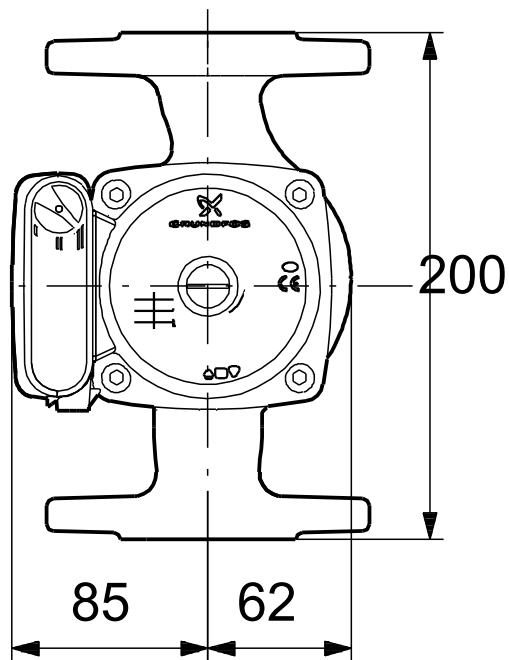
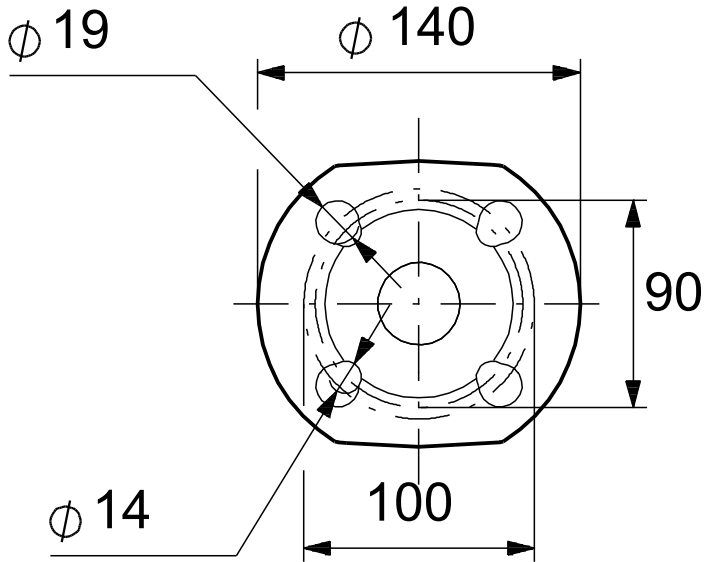
## On request UPS 36-50 F 200 50 Hz



Description	Value
<b>General information:</b>	
Product name:	UPS 36-50 F 200
Product No:	On request
EAN number:	On request
Price:	
<b>Technical:</b>	
Speed no:	3
Head max:	50 dm
TF class:	110
Approvals on nameplate:	EAC
<b>Materials:</b>	
Pump housing:	Cast iron
Pump housing:	EN-JL1030
Pump housing:	ASTM 30 B
Impeller:	Composite, PES/PP
<b>Installation:</b>	
Amb. max at 80 dgr C liquid:	40 °C
Maximum operating pressure:	10 bar
Flange standard:	SQUARE
Pipe connection:	90 mm
Pressure rating:	PN 10
Port-to-port length:	200 mm
<b>Liquid:</b>	
Pumped liquid:	Water
Liquid temperature range:	-25 .. 110 °C
Selected liquid temperature:	60 °C
Density:	983.2 kg/m <sup>3</sup>
<b>Electrical data:</b>	
Power input in speed 1:	75 W
Power input in speed 2:	100 W
Max. power input:	105 W
Mains frequency:	50 Hz
Rated voltage:	1 x 230 V
Current in speed 1:	0.32 A
Current in speed 2:	0.44 A
Current in speed 3:	0.46 A
Capacitor size - run:	2.5 µF
Enclosure class (IEC 34-5):	X2D
Insulation class (IEC 85):	F
Motor protec:	CONTACT
Thermal protec:	internal
<b>Controls:</b>	
Pos term box:	9H
<b>Others:</b>	
Gross weight:	6.93 kg
Shipping volume:	0.009 m <sup>3</sup>
Norwegian NRF no.:	9042027

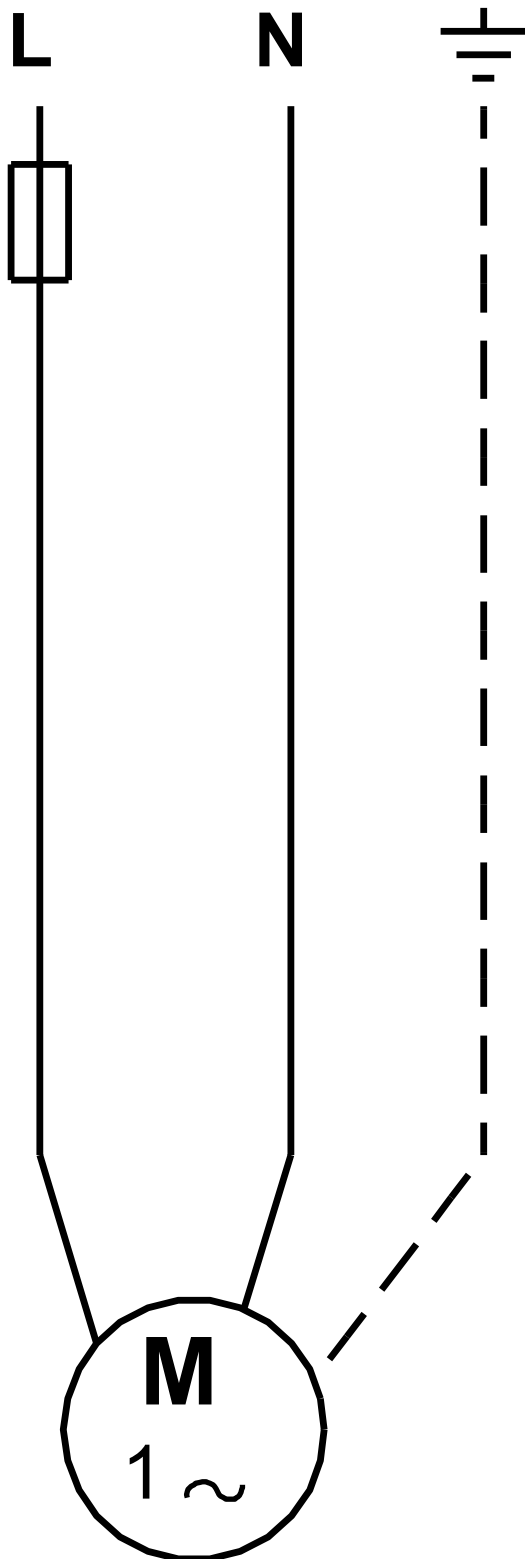


## On request UPS 36-50 F 200 50 Hz



Note! All units are in [mm] unless others are stated.  
Disclaimer: This simplified dimensional drawing does not show all details.

**On request UPS 36-50 F 200 50 Hz**



Note! All units are in [mm] unless others are stated.